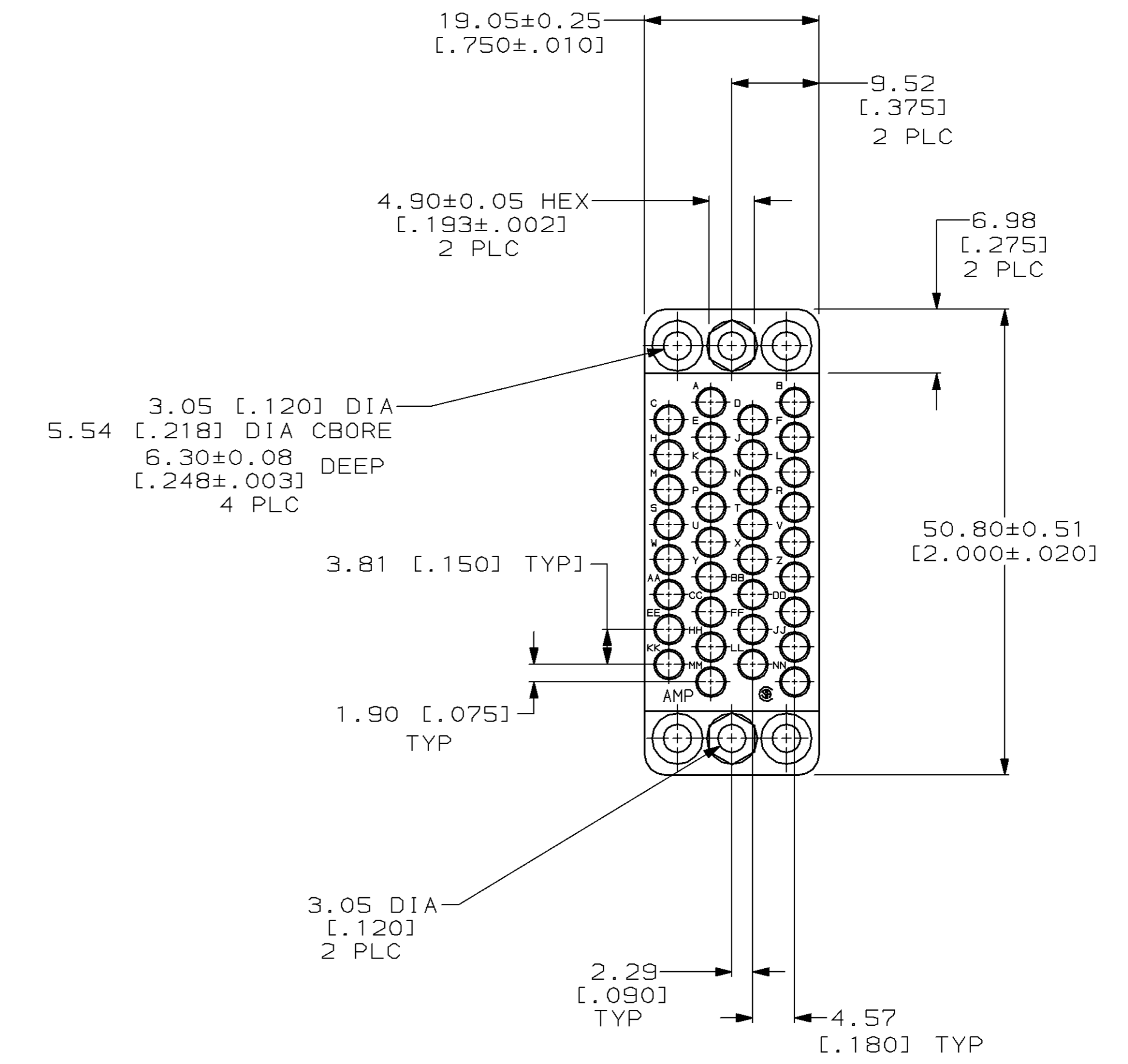
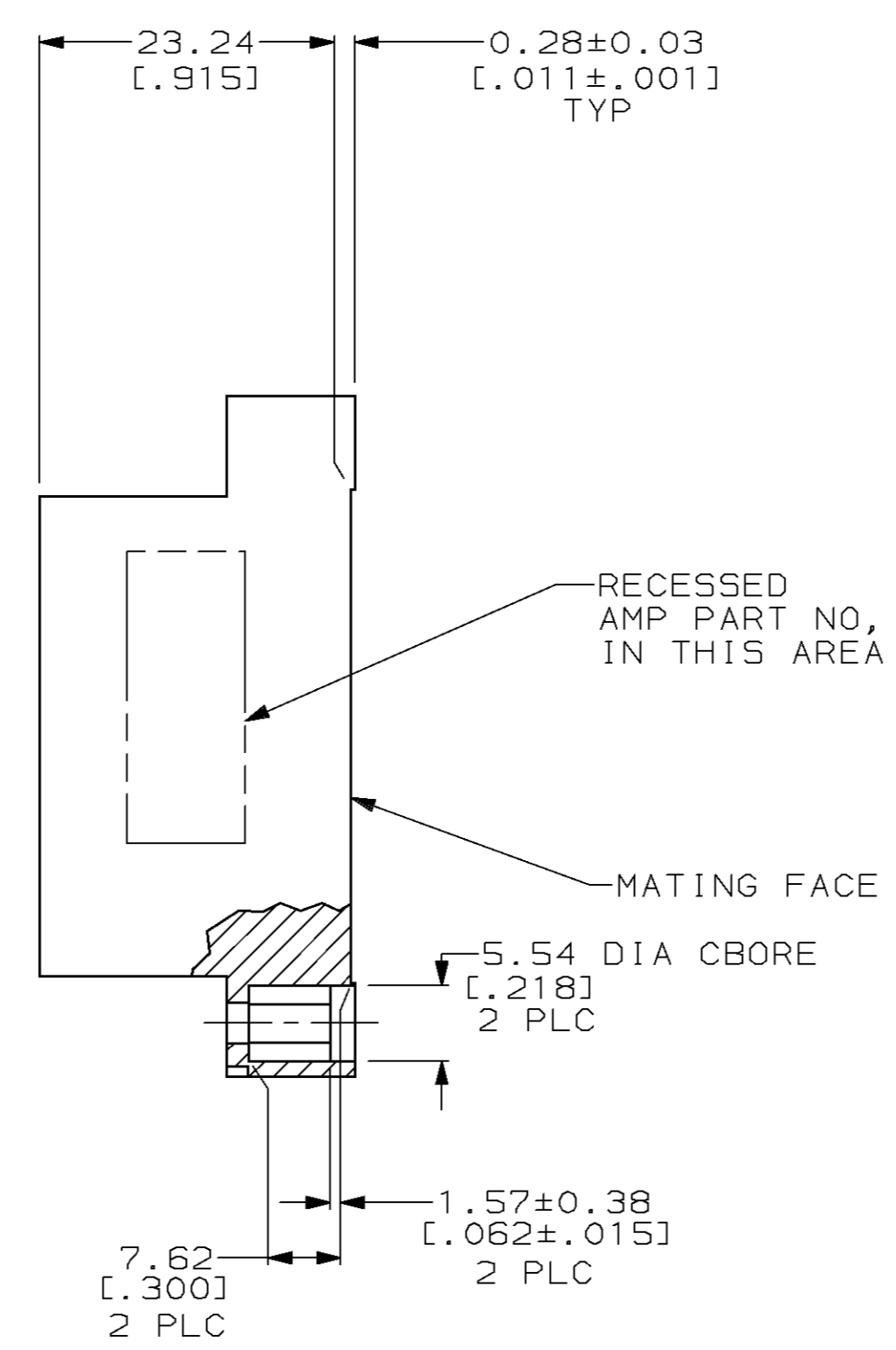
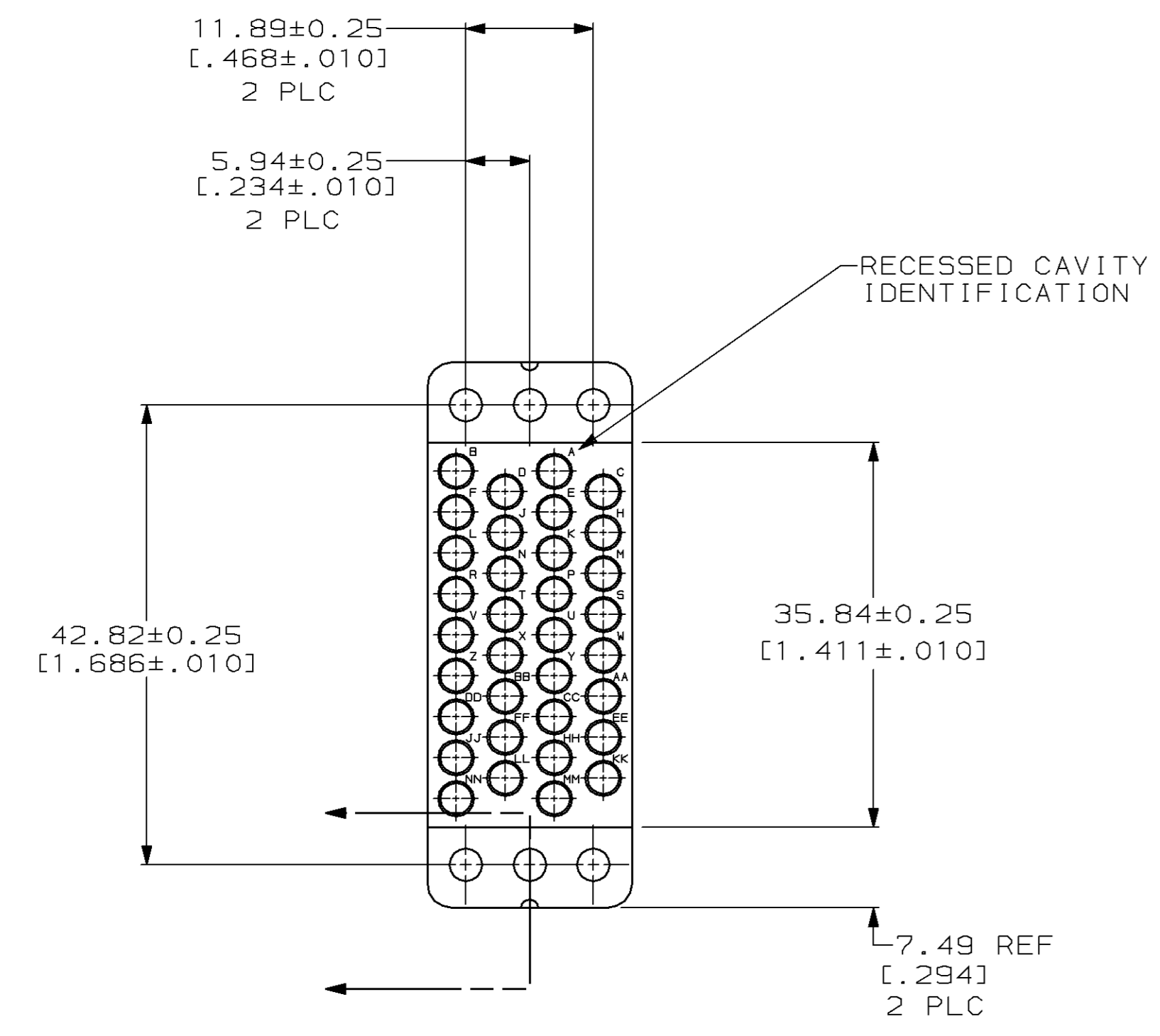


MOD		LOC	DIST	REVISIONS			DATE	APPD
2	BD	36	P	F	ZONE	LTR	DESCRIPTION	
						0	RLSE -1 PER NPR 5123 WAS 94-5050-001-05	08/12/94 TC



213802-1  
PART NO

DO NOT SCALE PRINT. UNLESS SPECIFIED DIMENSIONS IN mm [INCHES] TOLERANCES ON: 2 PLC DEC ± 0.13 [.005] 3 PLC DEC ± - ANGLES ± -		DR 08-12-94 D.BROCKWAY		AMP Incorporated Harrisburg, PA 17105-3608	
MATERIAL: POLYESTER, BLACK		CHK 09-08-94 R.STONE			
FINISH: -		APPD 09-13-94 T.COULSON		NAME: HOUSING, RCPT, 34 POSN, MINIATURE, RECTANGULAR M SERIES	
WEIGHT: -		APPD 09-13-94 T.COULSON		DRAWING NO: C-213802	
		APPLICATION SPEC: -		SIZE: D	
				CAGE CODE: 00779	
				SCALE: 2:1	
				SHEET: 1 OF 1	

THIS DRAWING IS A CONTROLLED DOCUMENT FOR AMP INCORPORATED. IT IS SUBJECT TO CHANGE AND THE CONTROLLING ENGINEERING ORGANIZATION SHOULD BE CONTACTED FOR THE LATEST REVISION.